



# Grippers | Sprue grippers

Series 60 – miniature grippers, clamping diameter 10 mm

## Series 60 – miniature grippers, clamping diameter 10 mm



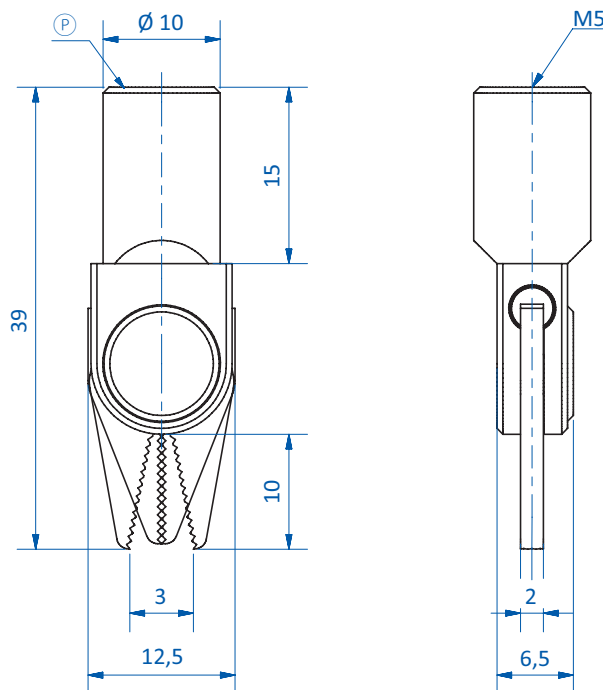
### Product notes

- > Gripper for small sprues and restricted space
- > Gap-free closing
- > Body and jaws made of high-strength anodized aluminum alloy
- > Single-acting
- > Medium: filtered and oiled/unoiled air

### Technical data

Item no.	Operating pressure [bar (psi)]	Closing force at 6 bar (87 psi) [N]	Weight [g/m]
GR04.060	6 (87)	3.5	5.3

### Dimensions



Ⓟ = Compressed air connection