



### Series 110 – sprue gripper – single-acting



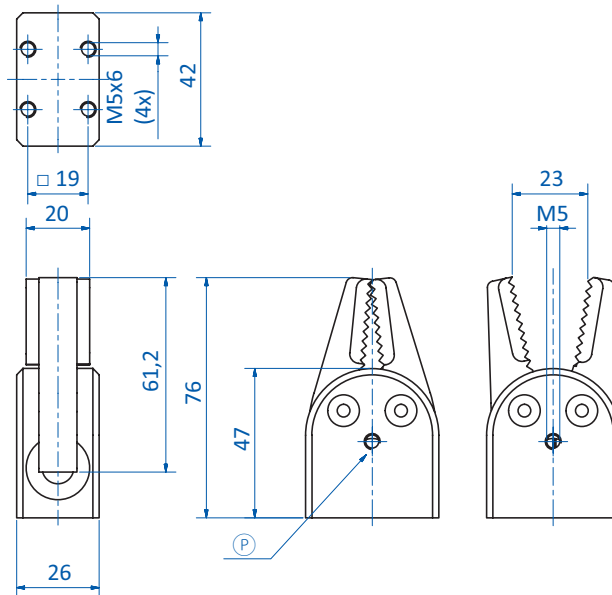
#### Product notes

- > Space-saving mounting options
- > GR04.110:
  - Gap-free closing for reliably gripping small or flat sprues
  - Large jaw opening also allow for larger sprue diameter to be handled
- > GR04.111:
  - For handling sprues with a minimum thickness of 2 mm
  - Indirect sensing triggering the sensor, when no part is gripped

#### Technical data

| Item no.      | Jaw      | Max. operating pressure [bar (psi)] | Sensor  | Electric connection     | Closing force at 6 bar (87 psi) [N] | Weight [g] | Suitable fittings |
|---------------|----------|-------------------------------------|---|-------------------------|-------------------------------------|------------|-------------------|
| GR04.110B     | Standard | 8 (116)                             | without   | 3-pin male M8 connector | 95                                  | 130        | --                |
| GR04.110A     | Standard | 8 (116)                             | PNP, direct monitoring, one freely adjustable switching point   | 3-pin male M8 connector | 95                                  | 130        | --                |
| GR04.110A/NPN | Standard | 8 (116)                             | NPN, direct monitoring, one freely adjustable switching point   | 3-pin male M8 connector | 95                                  | 130        | --                |
| GR04.111A     | Xwide    | 8 (116)                             | PNP, indirect monitoring, one freely adjustable switching point | 3-pin male M8 connector | 95                                  | 135        | GR04.196A         |
| GR04.111A/NPN | Xwide    | 8 (116)                             | NPN, indirect monitoring, one freely adjustable switching point | 3-pin male M8 connector | 95                                  | 135        | GR04.196A         |

#### Dimensions



GR04.110B | GR04.110A | GR04.110A/NPN | GR04.111A | GR04.111A/NPN |

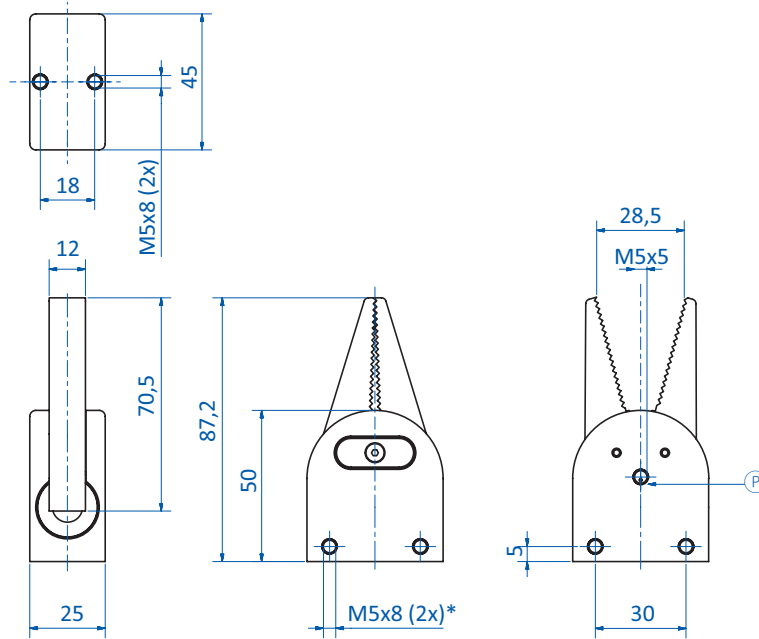
Ⓟ = Compressed air connection \* = Fixing hole



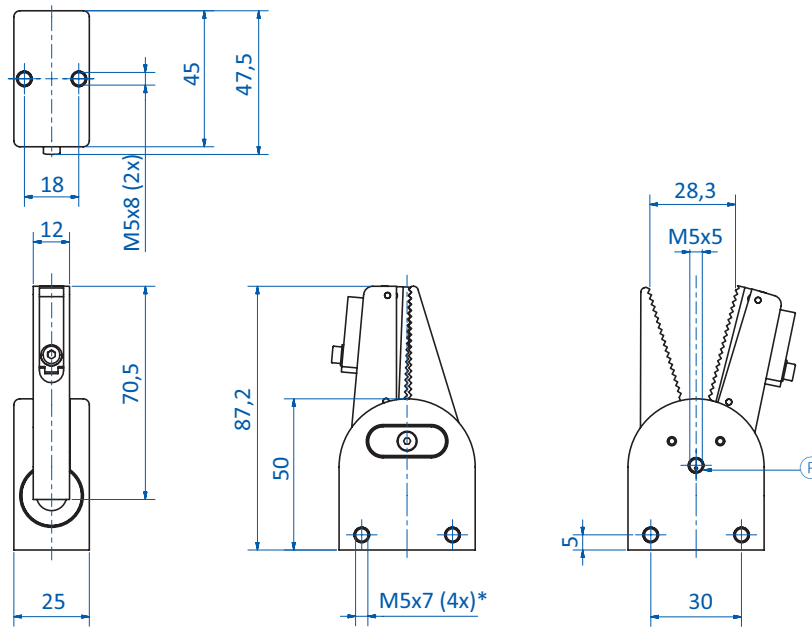
# Grippers | Sprue grippers

Series 110 – sprue gripper – single-acting

## Dimensions



GR04.110B



GR04.110A | GR04.110A/NPN

Ⓟ = Compressed air connection \* = Fixing hole