



# Vacuum generation | Multi-chamber ejectors

FBM – Mini Multi-stage vacuum ejectors

## FBM – Mini Multi-stage vacuum ejectors



### Product notes

- > Compact and lightweight
- > Operated by switching the compressed air supply on/off
- > Internal silencer

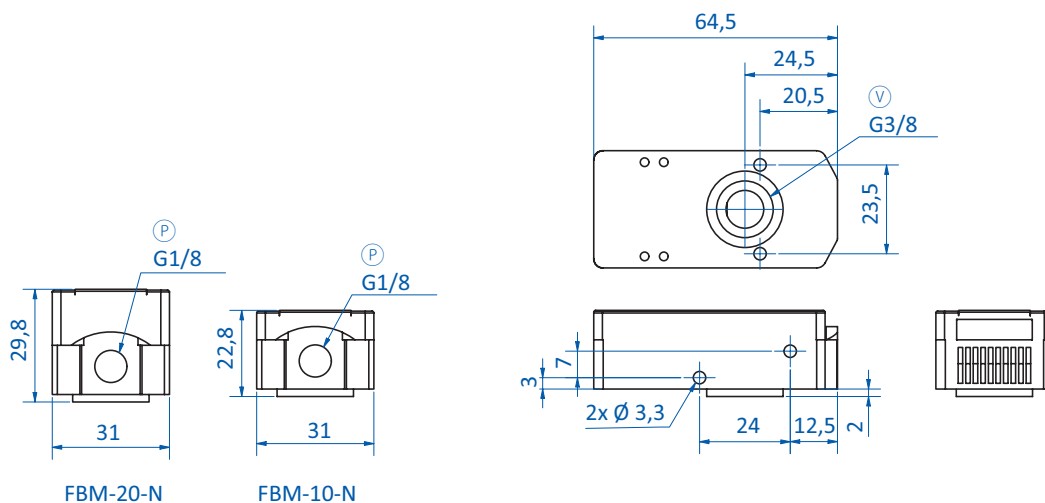
### Technical data

Item no.	Optimal operating pressure [bar (psi)]	Optimal suction power [NI/min]	Optimal air consumption [NI/min]	Max. operating pressure [bar (psi)]	Max. suction power at 6 bar (87 psi) [NI/min]	Max. air consumption at 6 bar (87 psi) [NI/min]	Final vacuum [%]	Weight [g]
<b>FBM-10-N-B</b>	4.5 (65.3)	46	30	6 (87)	60	42	85	39
<b>FBM-20-N-B</b>	4.5 (65.3)	87	60	6 (87)	105	84	85	50

### Recommended hose inner diameter

Model	Vacuum port [mm]	Compress air port [mm]
FBM-10	10	6
FBM-20	12	8

### Dimensions

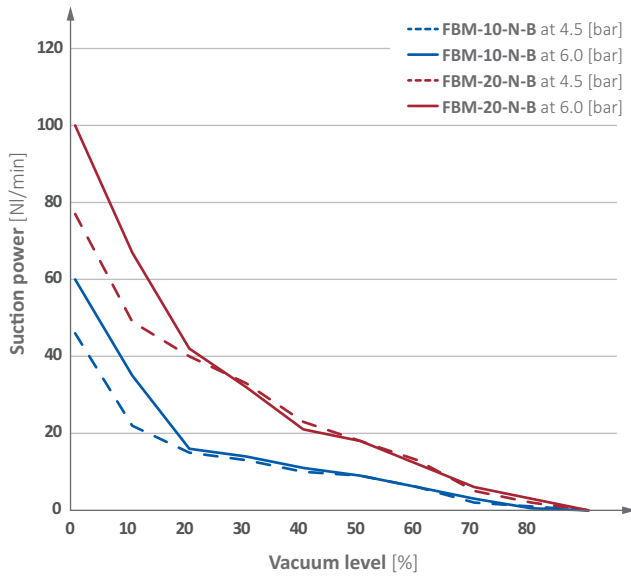


Ⓟ = Compressed air connection Ⓥ = Vacuum connection



## Diagrams

> Suction power against vacuum level [NI/min]



> Evacuation time against vacuum level [s/L]

