



"Inline" pressure regulators with pressure gauge



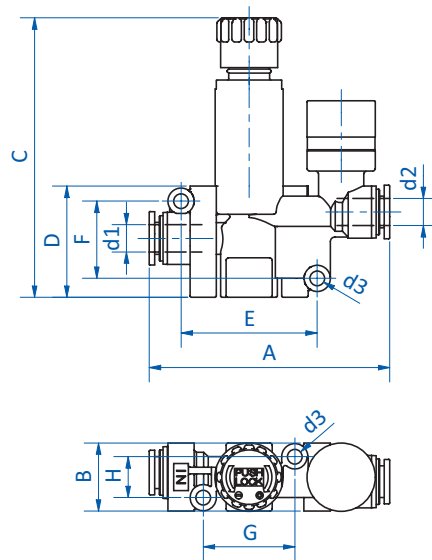
Product notes

- > Defined reduction in operating pressure for ejectors, limitation of holding force of grippers
- > Easy installation thanks to vertical and horizontal cross holes
- > Pressure adjustment by means of Push-lock adjusting cap, pressure monitoring by means of gauges (readout in MPa)
- > Integrated overpressure protection
- > Only suitable for compressed air

Technical data

Item no.	Operating pressure [bar (psi)]	Regulating range [bar (psi)]	Accuracy (±) [%]	Operating temperature [°C (°F)]	Weight [g]
32.841	0 - 10 (0 - 145)	1 - 8 (14.5 - 116)	5	0 - 60 (32 - 140)	23
32.842	0 - 10 (0 - 145)	1 - 8 (14.5 - 116)	5	0 - 60 (32 - 140)	23
32.843	0 - 10 (0 - 145)	1 - 8 (14.5 - 116)	5	0 - 60 (32 - 140)	23
32.844	0 - 10 (0 - 145)	1 - 8 (14.5 - 116)	5	0 - 60 (32 - 140)	36
32.845	0 - 10 (0 - 145)	1 - 8 (14.5 - 116)	5	0 - 60 (32 - 140)	36

Dimensions



Item no.	d1 [mm]	d2 [mm]	d3 [mm]	A [mm]	B [mm]	C [mm]	D [mm]	E [mm]	F [mm]	G [mm]	H [mm]
32.841	4	4	3.3	52.5	15	61.6	24.5	30	17	22.2	9
32.842	6	4	3.3	52.5	15	61.6	24.5	30	17	20.2	9
32.843	6	6	3.3	53	15	61.6	24.5	30	17	20.2	9
32.844	8	6	3.3	61.5	19	65.7	28.4	39.7	21.3	23.2	13
32.845	8	8	3.3	61.5	19	65.7	28.4	39.7	21.3	23.2	13