

FORMHAND

FORMHAND for robots

FORMHAND for robots



Product notes

- > Gripping pad filled with a freely movable granulate made of plastic for handling complex and changing geometries
- > The FORMHAND nestles seamlessly to the surface of the component and thus ensures a gentle grip
- > Application on classic industrial robots, but also on cobots
- > Saving of different gripping systems and set-up times due to the modular use of this universal gripper

Notes

- > The holding force corresponds to optimal conditions, can deviate downwards

Ordering notes

In addition to the gripper, the choice of the right vacuum generator depends very much on the workpiece (weight, porosity, ...), the application (movement profile, ...) and the other components of the vacuum system (hose lengths, hose diameters, valves, ...). Therefore, a more powerful vacuum generator may be required in a specific application. It may also be the case that a less powerful vacuum generator is sufficient. The selection must always be made individually for the specific application and verified by tests.

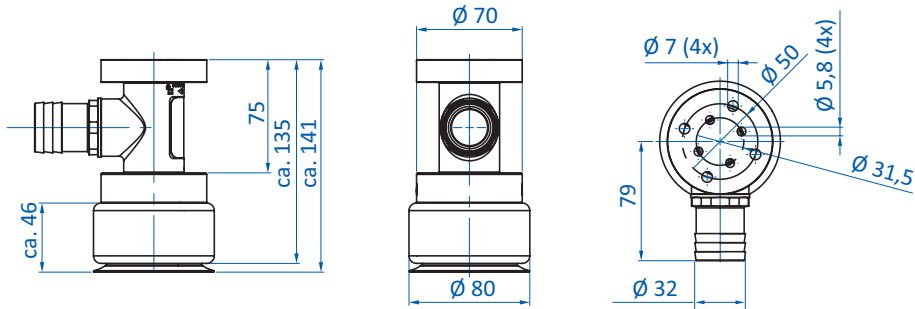
Technical data

Item no.	Suction area [mm]	Pipe connection [mm]	Material	Max. gripping force [N]	Max. volume flow [m ³ /h]	Ambient air temperature [°C (°F)]	Weight [kg]	Possible vacuum generator
FMG.FH.R80.5	Ø 80	32	PU	20	120	-10 - 50 (14 - 122)	0.45	VPT.16A-*; SKV.D.91-1.5-C-*
FMG.FH.R150.5	Ø 154	32	PU	80	140	-10 - 50 (14 - 122)	2.65	VPT.25A-*; SKV.D.117-2.2-C-*
FMG.FH.R150.1	Ø 154	32	NBR	80	140	-10 - 50 (14 - 122)	2.65	VPT.25A-*; SKV.D.117-2.2-C-*
FMG.FH.E3020.5	300x200	32	PU	250	160	-10 - 50 (14 - 122)	3.7	VPT.25A-*; SKV.D.209-4.0-C-*

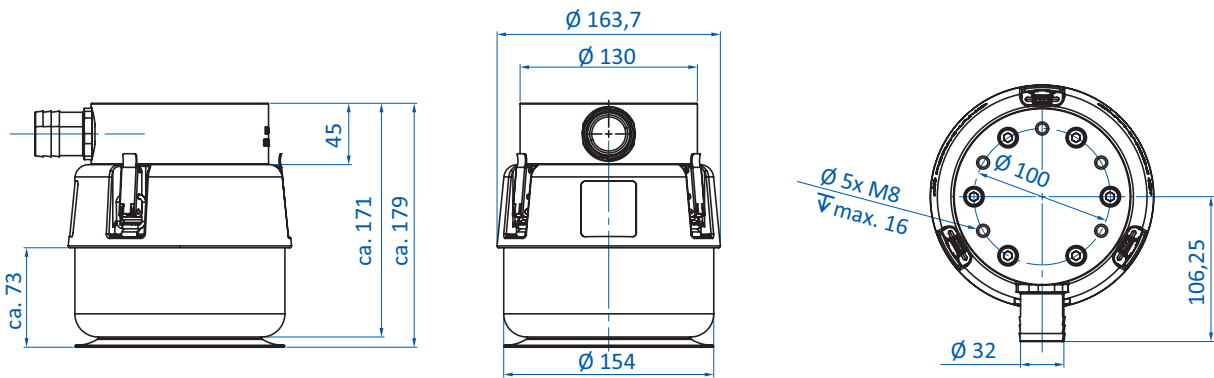
Application examples



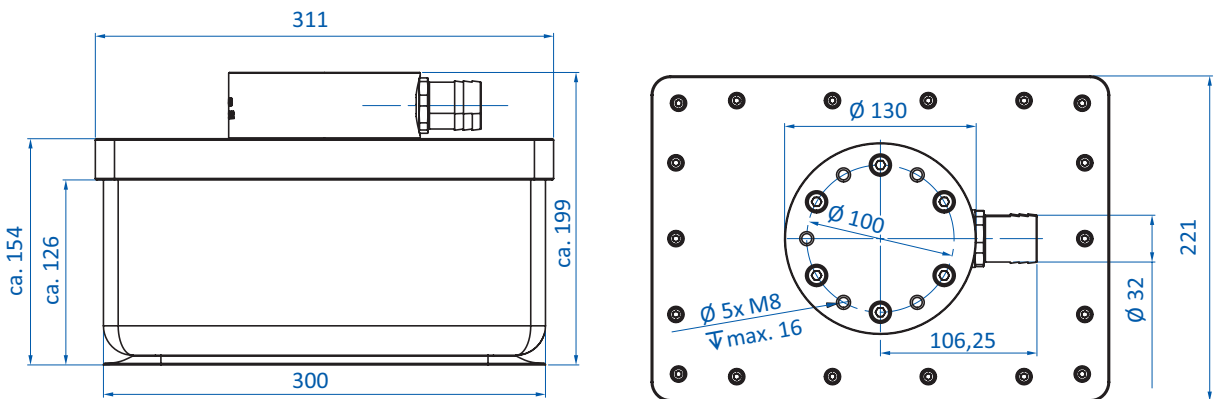
Dimensions



FMG.FH.R80.5



FMG.FH.R150.5 | FMG.FH.R150.1



FMG.FH.E3020.5