



Bellows vacuum cups series

Bellows vacuum cups, universal, 1.5 folds, modular – SP-B1

Bellows vacuum cups, universal, 1.5 folds, modular – SP-B1



Product notes

Bellows vacuum cups with a short stroke compensates for small irregularities.
Version: Replacement sealing lip for attachment to fitting


Advantage

- > High suction force
- > Fast cycle times possible
- > Very resistant to wear (Tepuflex®)
- > Compatible with established products from other vendors


Ordering notes

Explanation of the ending of the accessory fitting:
> S: with screen

Technical data

Item no.	Model	 Number of folds	Material / Color	Accessories	
				Filter disc:	Retaining ring:
23.005.178._*	SP-B1-5	2	SI (r), SI-LE (r), SI-AS (sw), CR (sw)	--	--
23.008.166._*	SP-B1-8	3.5	SI (r), SI-LE (r), SI-AS (sw), CR (sw)	--	--
23.011.295._*	SP-B1-11	4.5	SI (r), SI-LE (r), SI-AS (sw), CR (sw)	--	--
23.013.296._*	SP-B1-13	5.3	SI (r), SI-LE (r), SI-AS (sw), CR (sw)	--	--
23.016.297._*	SP-B1-16	6.7	SI (r), SI-LE (r), SI-AS (sw), CR (sw)	--	--
23.020.026._*	SP-B1-20	9	SI (tr), SI-LE (tr), CR (sw), Tepuflex® (or)	78.200	78.011
23.030.037._*	SP-B1-30	9	SI (tr), SI-LE (tr), CR (sw), Tepuflex® (or)	78.201	78.011
23.040.045._*	SP-B1-40	9	SI (tr), CR (sw), Tepuflex® (or)	78.202	78.012
23.050.054._*	SP-B1-50	12	SI (tr), SI-LE (tr), CR (sw), Tepuflex® (or)	78.203	78.013
23.078.065._*	SP-B1-75	22	SI (tr), SI-LE (tr), CR (sw)	--	--
23.117.069._*	SP-B1-110	29	SI (tr), SI-LE (tr), CR (sw)	--	--
23.160.072._*	SP-B1-150	41	SI (tr), SI-LE (tr), CR (sw)	--	--

Accessories

Item no.	 Suitable fittings									
	M5-male	M5-female	M6-male	G1/8-male	G1/8-female	G1/4-male	G3/8-male	G3/8-female	G1/2-female	G3/4-female
23.005.178._*	270.153	--	--	--	--	--	--	--	--	--
23.008.166._*	270.153	--	--	--	--	--	--	--	--	--
23.011.295._*	270.134	--	270.104	--	--	--	--	--	--	--
23.013.296._*	270.134	--	270.104	--	--	--	--	--	--	--

* When ordering please add the appropriate material code to item no. You will find it on www.fipa.com.

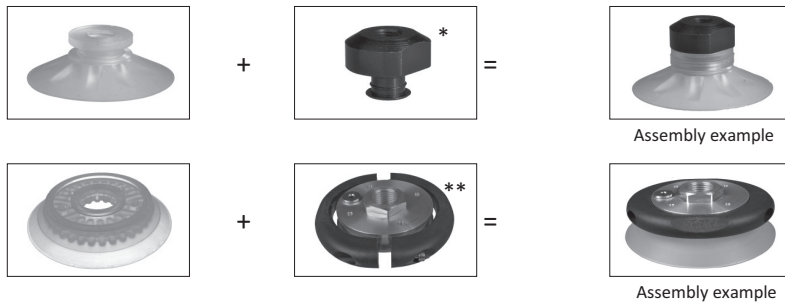


Accessories

Item no.	Suitable fittings									
	M5-male	M5-female	M6-male	G1/8-male	G1/8-female	G1/4-male	G3/8-male	G3/8-female	G1/2-female	G3/4-female
23.016.297.*	270.134	--	270.104	--	--	--	--	--	--	--
23.020.026.*	--	270.500-S	--	270.250, 270.503-S	--	--	--	--	--	--
23.030.037.*	--	270.500-S	--	270.250, 270.503-S	--	--	--	--	--	--
23.040.045.*	--	--	--	--	270.251, 270.501-S	270.506-S	270.505-S	--	--	--
23.050.054.*	--	--	--	--	270.252, 270.502-S	270.504-S	270.507-S	--	--	--
23.078.065.*	--	--	--	--	270.527-S	--	--	270.528-S	270.529-S	--
23.117.069.*	--	--	--	--	--	--	--	270.530-S	270.531-S	--
23.160.072.*	--	--	--	--	--	--	--	--	270.532-S	270.533-S

Bellows vacuum cups – modular

Example:



* Fittings are optionally available with and without filter screen

** Fittings come fitted with filter screen as standard

- > The modular series allows you to assemble your own vacuum cups
- > Worn sealing lips can be replaced quickly, cost-effective and easily
- > High flexibility thanks to a large selection of fitting threads

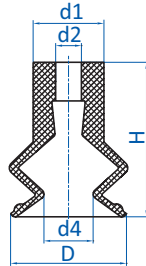
* When ordering please add the appropriate material code to item no. You will find it on www.fipa.com.



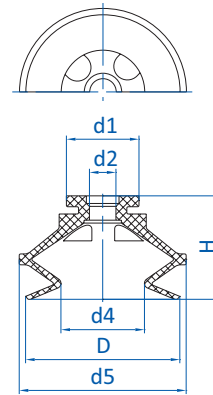
Bellows vacuum cups series

Bellows vacuum cups, universal, 1.5 folds, modular – SP-B1

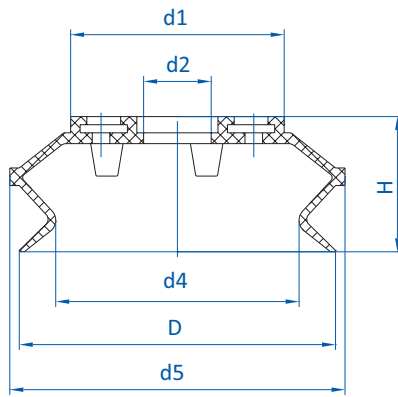
Dimensions



Drawing A



Drawing B



Drawing C

Item no.	Drawing	∅ D [mm]	∅ d1 [mm]	∅ d2 [mm]	∅ d4 [mm]	∅ d5 [mm]	H [mm]
23.005.178._*	A	6	4.5	2	2.2	--	9
23.008.166._*	A	9	5.5	2	3.8	--	12
23.011.295._*	A	11	9	3.8	4	--	16.5
23.013.296._*	A	13	9	3.8	4.6	--	19
23.016.297._*	A	16.5	9	3.8	7.5	--	19.5
23.020.026._*	B	21	14.5	5.5	11	24	19.5
23.030.037._*	B	33	15	5.5	18.5	37	28
23.040.045._*	B	43	20	7.5	23	46	29
23.050.054._*	B	53	26	10.5	32	58	35
23.078.065._*	C	81	55	10	59	84	37
23.117.069._*	C	117	79	25	90	124	50
23.160.072._*	C	160	110	24	112	166	67

* When ordering please add the appropriate material code to item no. You will find it on www.fipa.com.