



Grippers | Sprue grippers

Series 332 – power grippers without stroke – double-acting

Series 332 – power grippers without stroke – double-acting



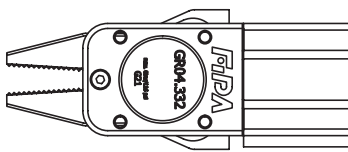
Product notes

- > Strong, double-action power gripper
- > Ideally suited for demoulding large components in particular
- > Optionally available with direct sensor scanning (Sensor with 3-pin male and M8 connector included in scope of delivery)
- > Clamping force measured at the jaw tip
- > The end positions of the lifting cylinders can be sensed with optional sensors
- > Standard clamping diameter 20 mm, available on request with clamping diameter 30 mm.
- > Other customer-specific designs or adaptations are possible and easy to implement – please contact our sales department

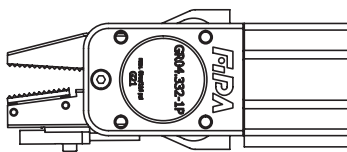
Technical data

Item no.	Jaw	Sensor	Closing force at 6 bar (87 psi) [N]	Operating pressure [bar (psi)]	Weight [g]	Accessories
GR04.332	Standard	without	310	0.5 - 6 (7.3 - 87)	550	Sensor: GS04.001, GR04.202N, GR04.202P Sensor: GR04.280N, GR04.280P
GR04.332-1P	Standard	PNP	310	0.5 - 6 (7.3 - 87)	570	Sensor: GS04.001, GR04.202N, GR04.202P Sensor: GR04.280N, GR04.280P
GR04.332H	HNBR Pad	without	310	0.5 - 6 (7.3 - 87)	590	Sensor: GS04.001, GR04.202N, GR04.202P Sensor: GR04.280N, GR04.280P HNBR pad: GR04.042-HNBR

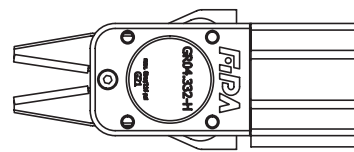
Jaw



Standard without sensor



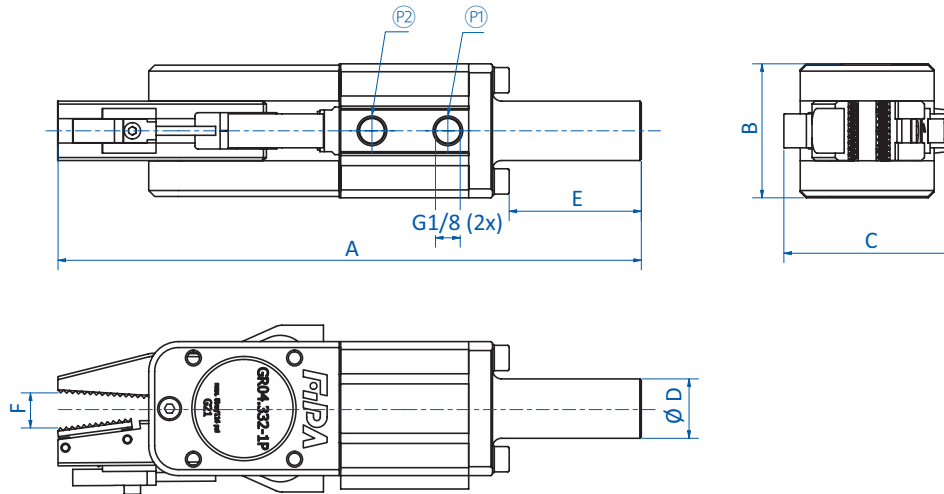
Standard with sensor



HNBR Pad



Dimensions



Ⓟ = Compressed air supply (close) Ⓠ = Compressed air supply (open)

Item no.	A [mm]	B [mm]	C [mm]	Ø D [mm]	E [mm]	F [mm]
GR04.332	197	94.05	56	20	44	11
GR04.332-1P	197	94.05	57	20	44	12
GR04.332H	197	94.05	56	20	44	11