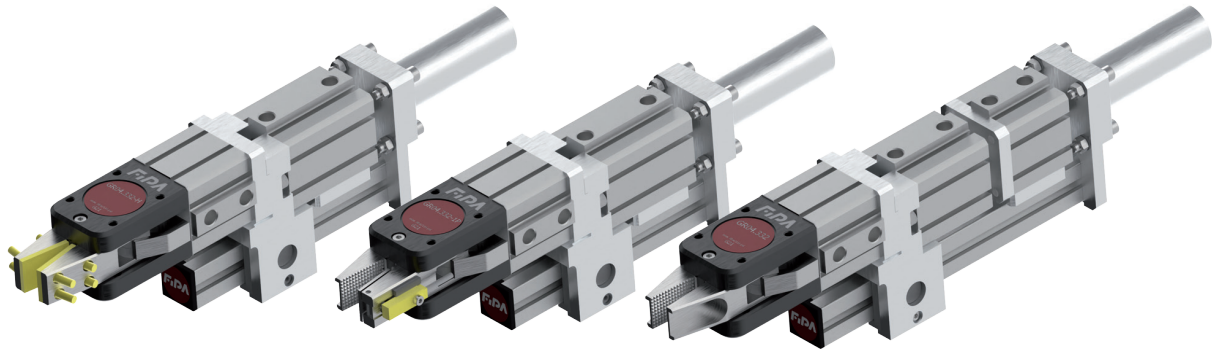




# Grippers | Power grippers

Series 332 – power grippers with stroke – double-acting

## Series 332 – power grippers with stroke – double-acting



### Product notes

- > Strong, double-action power gripper with single or double stroke
- > Ideally suited for matrix removal, especially of large components
- > Optionally available with direct sensor scanning (Sensor with 3-pin male and M8 connector included in scope of delivery)
- > Clamping force measured at the jaw tip
- > The end positions of the lifting cylinders can be sensed with optional sensors
- > Optional stroke limiters are available for easy adjustment of the cylinder stroke
- > Standard clamping diameter  $\varnothing$  30 mm, available on request with clamping diameter  $\varnothing$  20 mm
- > Other customer-specific designs or adaptations are possible and easy to implement – please contact our sales department

### Technical data

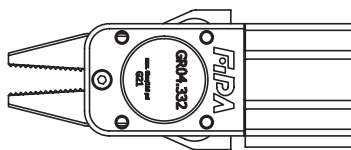
Item no.	Jaw	Stroke 1 [mm]	Stroke 2 [mm]	Sensor	Closing force at 6 bar (87 psi) [N]	Lifting force at 6 bar (87 psi) [N]	Operating pressure [bar (psi)]	Weight [g]	Accessories
<b>GR04.332-30</b>	Standard	30	without	without	310	480	0.5 - 6 (7.3 - 87)	1,340	Sensor: GR04.202N Sensor: GR04.202P Sensor: GR04.280N Sensor: GR04.280P Stroke limiters: GR04.330-KIT
<b>GR04.332-40</b>	Standard	40	without	without	310	480	0.5 - 6 (7.3 - 87)	1,370	Sensor: GR04.202N Sensor: GR04.202P Sensor: GR04.280N Sensor: GR04.280P Stroke limiters: GR04.330-KIT
<b>GR04.332-30-1P</b>	Standard	30	without	PNP	310	480	0.5 - 6 (7.3 - 87)	1,370	Sensor: GS04.001 Sensor: GR04.202N Sensor: GR04.202P Sensor: GR04.280N Sensor: GR04.280P Stroke limiters: GR04.330-KIT
<b>GR04.332-40-1P</b>	Standard	40	without	PNP	310	480	0.5 - 6 (7.3 - 87)	1,400	Sensor: GS04.001 Sensor: GR04.202N Sensor: GR04.202P Sensor: GR04.280N Sensor: GR04.280P Stroke limiters: GR04.330-KIT
<b>GR04.332-20-10</b>	Standard	20	10	without	310	480	0.5 - 6 (7.3 - 87)	1,520	Sensor: GR04.202N Sensor: GR04.202P Sensor: GR04.280N Sensor: GR04.280P Stroke limiters: GR04.330-KIT
<b>GR04.332-20-20</b>	Standard	20	20	without	310	480	0.5 - 6 (7.3 - 87)	1,550	Sensor: GR04.202N Sensor: GR04.202P Sensor: GR04.280N Sensor: GR04.280P Stroke limiters: GR04.330-KIT



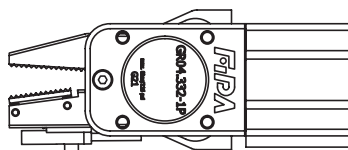
Technical data

Item no.	Jaw	Stroke 1 [mm]	Stroke 2 [mm]	Sensor	Closing force at 6 bar (87 psi) [N]	Lifting force at 6 bar (87 psi) [N]	Operating pressure [bar (psi)]	Weight [g]	Accessories
<b>GR04.332-20-30</b>	Standard	20	30	without	310	480	0.5 - 6 (7.3 - 87)	1,580	Sensor: GR04.202N Sensor: GR04.202P Sensor: GR04.280N Sensor: GR04.280P Stroke limiters: GR04.330-KIT
<b>GR04.332-20-50</b>	Standard	20	50	without	310	480	0.5 - 6 (7.3 - 87)	1,690	Sensor: GR04.202N Sensor: GR04.202P Sensor: GR04.280N Sensor: GR04.280P Stroke limiters: GR04.330-KIT
<b>GR04.332-20-10-1P</b>	Standard	20	10	PNP	310	480	0.5 - 6 (7.3 - 87)	1,540	Sensor: GS04.001 Sensor: GR04.202N Sensor: GR04.202P Sensor: GR04.280N Sensor: GR04.280P Stroke limiters: GR04.330-KIT
<b>GR04.332-20-20-1P</b>	Standard	20	20	PNP	310	480	0.5 - 6 (7.3 - 87)	1,570	Sensor: GS04.001 Sensor: GR04.202N Sensor: GR04.202P Sensor: GR04.280N Sensor: GR04.280P Stroke limiters: GR04.330-KIT
<b>GR04.332-20-30-1P</b>	Standard	20	30	PNP	310	480	0.5 - 6 (7.3 - 87)	1,600	Sensor: GS04.001 Sensor: GR04.202N Sensor: GR04.202P Sensor: GR04.280N Sensor: GR04.280P Stroke limiters: GR04.330-KIT
<b>GR04.332-30H</b>	HNBR Pad	30	without	without	310	480	0.5 - 6 (7.3 - 87)	1,380	Sensor: GR04.202N Sensor: GR04.202P Sensor: GR04.280N Sensor: GR04.280P Stroke limiters: GR04.330-KIT

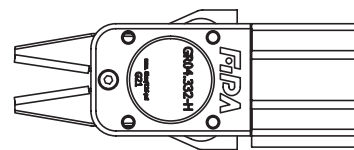
Jaw



Standard without sensor



Standard with sensor



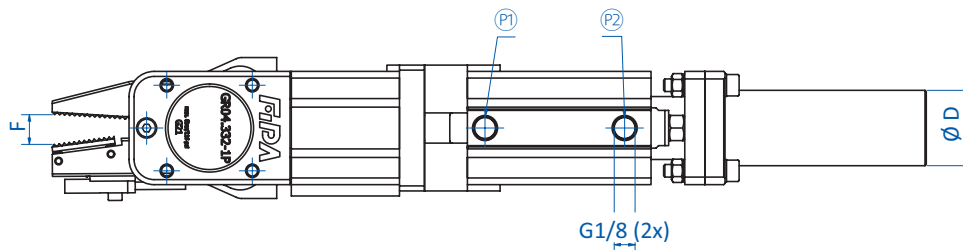
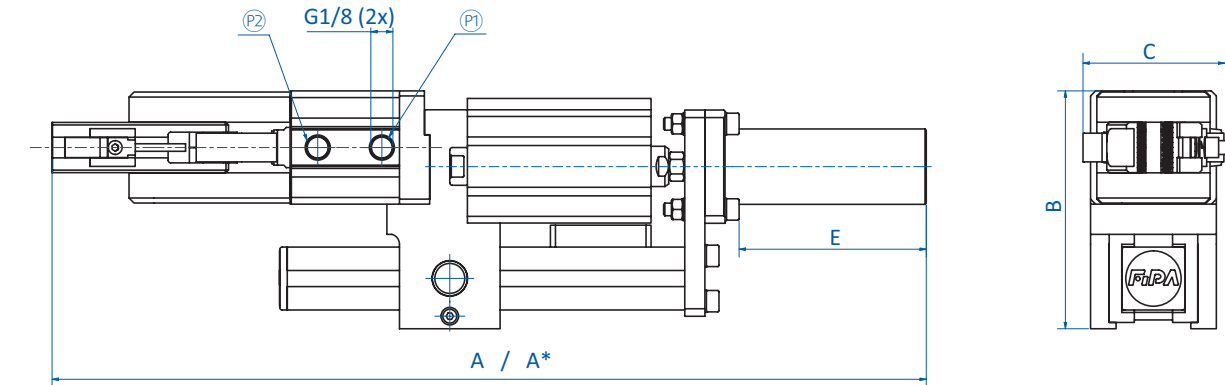
HNBR Pad



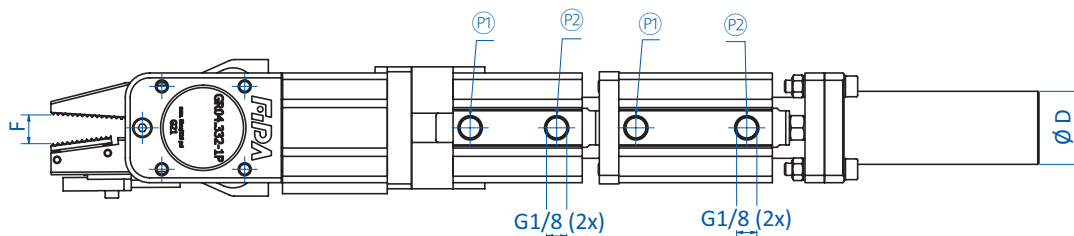
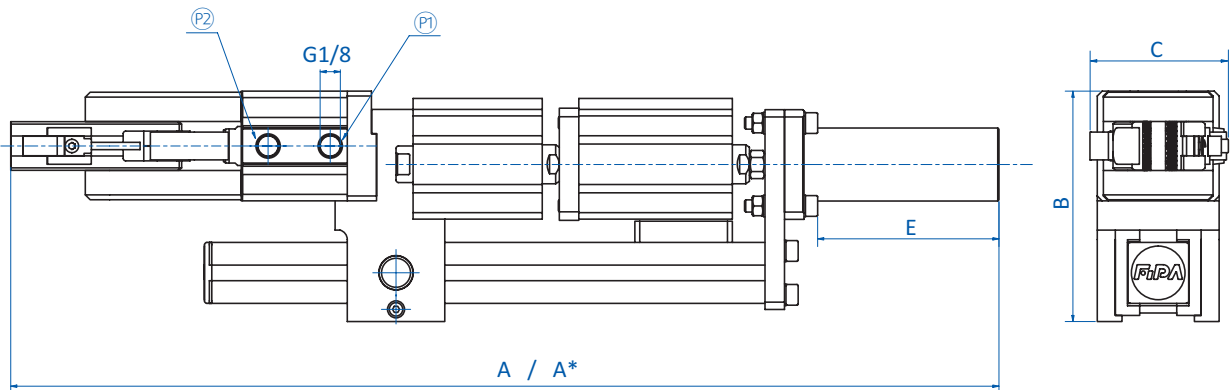
# Grippers | Power grippers

Series 332 – power grippers with stroke – double-acting

## Dimensions



GR04.332-30 | GR04.332-40 | GR04.332-30-1P | GR04.332-40-1P | GR04.332-30H



GR04.332-20-10 | GR04.332-20-20 | GR04.332-20-30 | GR04.332-20-50 | GR04.332-20-10-1P | GR04.332-20-20-1P | GR04.332-20-30-1P

Ⓟ = Compressed air connection cylinder extended / gripper close    Ⓠ = Compressed air connection cylinder retracted / gripper open  
\* = Length A\* = A + Stroke 1 + Stroke 2



Item no.	A [mm]	A* [mm]	B [mm]	C [mm]	Ø D [mm]	E [mm]	F [mm]
<b>GR04.332-30</b>	338	368	94.5	56	30	74	10
<b>GR04.332-40</b>	348	388	94.5	56	30	74	10
<b>GR04.332-30-1P</b>	338	368	94.5	57	30	74	11
<b>GR04.332-40-1P</b>	348	388	94.5	57	30	74	11
<b>GR04.332-20-10</b>	386	416	94.5	56	30	74	10
<b>GR04.332-20-20</b>	396	436	94.5	56	30	74	10
<b>GR04.332-20-30</b>	406	456	94.5	56	30	74	10
<b>GR04.332-20-50</b>	425.5	495.5	94.5	50	30	74	10
<b>GR04.332-20-10-1P</b>	386	416	94.5	57	30	74	11
<b>GR04.332-20-20-1P</b>	396	436	94.5	57	30	74	11
<b>GR04.332-20-30-1P</b>	406	456	94.5	57	30	74	11
<b>GR04.332-30H</b>	308	338	94.5	56	30	74	11