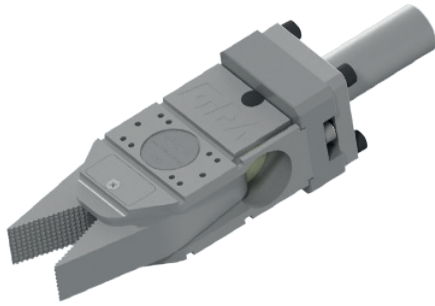




Grippers | Sprue grippers

Series 325 – power grippers without stroke – single-acting

Series 325 – power grippers without stroke – single-acting



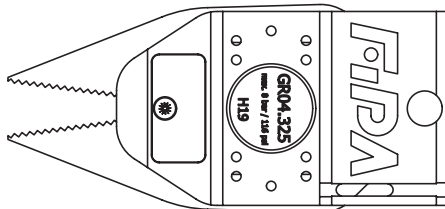
Product notes

- > Very strong, single-action power gripper
- > Ideally suited for demoulding large components in particular
- > Optionally available with direct sensor scanning (Sensor with 3-pin male and M8 connector included in scope of delivery)
- > Clamping force measured at the jaw tip
- > The end positions of the lifting cylinders can be sensed with optional sensors
- > Standard clamping diameter 30 mm, available on request with clamping diameter 20 mm
- > Other customer-specific designs or adaptations are possible and easy to implement – please contact our sales department

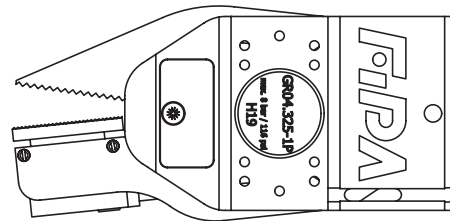
Technical data

Item no.	Jaw	Sensor	Closing force at 6 bar (87 psi) [N]	Operating pressure [bar (psi)]	Weight [g]	Suitable sensors
GR04.325	Standard	without	365	2.5 - 6 (36.3 - 87)	440	--
GR04.325-1P	Standard	PNP	365	2.5 - 6 (36.3 - 87)	470	GS04.001

Jaw



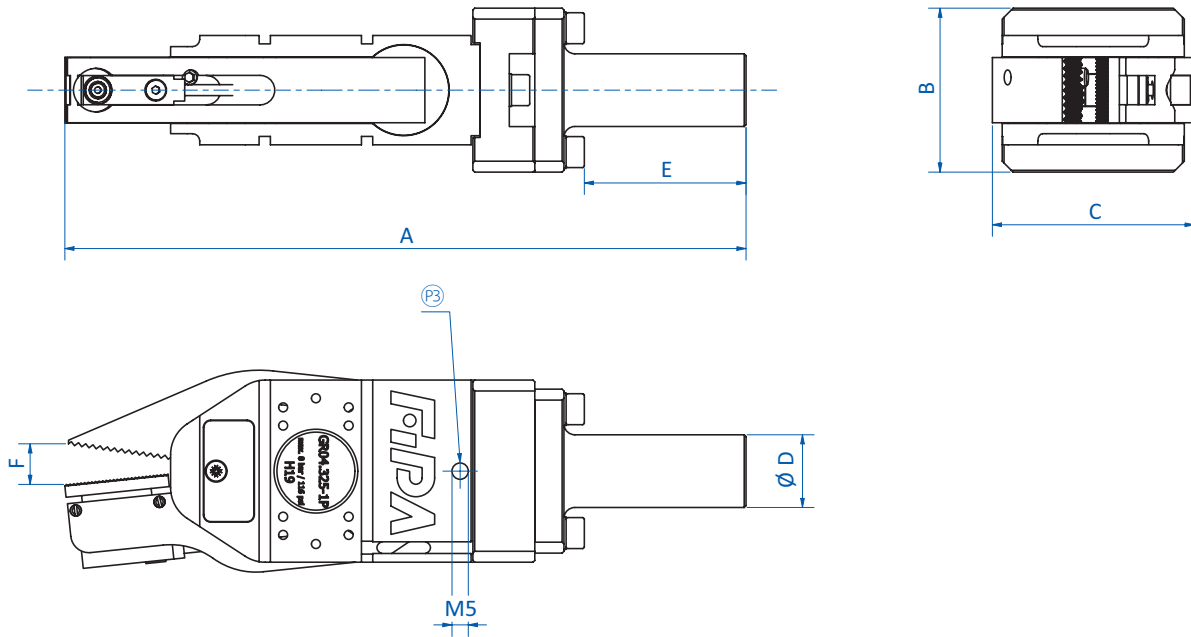
Standard without sensor



Standard with sensor



Dimensions



^{P3} = Compressed air connection gripper

Item no.	A [mm]	B [mm]	C [mm]	Ø D [mm]	E [mm]	F [mm]
GR04.325	186	45	54	20	44	14
GR04.325-1P	188	45	56	20	44	12