



Series | Oval vacuum cups SO

Oval vacuum cups, flat - SO-E

Oval vacuum cups, flat - SO-E



Product description

Small flat vacuum cups in oval design for elongated workpieces where only minimal space is available (e.g. semiconductors, carrier plates, etc.). Connection via an interlocking snap-in plug-in nipple.

Advantage

- > Significantly increased suction force compared to round vacuum cups of the same width
- > Optimum bending strength due to elongated carrier plate in the plug-in nipple
- > Secured against rotation
- > Antistatic version available
- > Cost-effective replacement of worn seals

Ordering notes:

The cups are delivered fully assembled with fitting.
The listed fittings are spare parts.

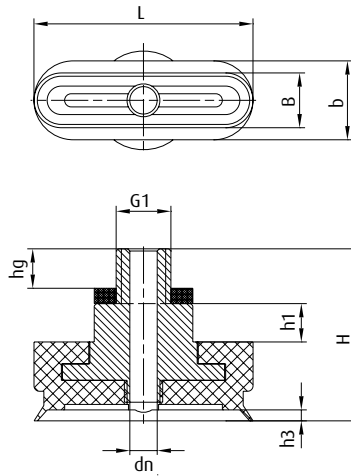
Technical Data

Model / Lip dimensions	Item no.		Material / Colour	Spare cup	Spare fittings	
	M5-male	M6-male			M5-male	M6-male
SO-E-10x4	130.10x4.115._*	130.10x4.068._*	0.9 NBR (sw), SI (tr)	132.10x4.003._*	270.463	270.339
SO-E-10x5	130.10x5.116._*	130.10x5.071._*	0.9 NBR (sw), SI (tr)	132.10x5.007._*	270.463	270.339
SO-E-10x6	130.10x6.117._*	130.10x6.073._*	0.9 NBR (sw), SI (tr)	132.10x6.011._*	270.463	270.339
SO-E-20x4	130.20x4.118._*	130.20x4.069._*	0.9 NBR (sw), SI (tr)	132.20x4.005._*	270.464	270.340
SO-E-20x5	130.20x5.119._*	130.20x5.081._*	0.9 NBR (sw)	132.20x5.009._*	270.464	270.340
SO-E-20x6	130.20x6.120._*	130.20x6.074._*	0.9 NBR (sw), SI (tr)	132.20x6.013._*	270.464	270.340
SO-E-20x8	130.20x8.121._*	130.20x8.076._*	0.9 NBR (sw), SI (tr)	132.20x8.015._*	270.464	270.340
SO-E-30x5	130.30x5.123._*	130.30x5.072._*	0.9 NBR (sw), SI (tr)	132.30x5.010._*	270.464	270.340
SO-E-30x6	130.30x6.124._*	130.30x6.075._*	0.9 NBR (sw), SI (tr)	132.30x6.014._*	270.464	270.340
SO-E-30x8	130.30x8.125._*	130.30x8.077._*	0.9 NBR (sw), SI (tr)	132.30x8.017._*	270.464	270.340

* When ordering please add the appropriate material code to item no. You will find it on www.fipa.com.



Dimensions



Item no.	L [mm]	B [mm]	b [mm]	Ø dn [mm]	G1	H [mm]	h1 [mm]	h3 [mm]	hg [mm]
130.10x4.115._*	10	4.6	7	2.5	M5	15.5	3.5	1	3.6
130.10x4.068._*	10	4.6	7	2	M6	15.5	3.5	1	4
130.10x5.116._*	10	5	7	2.5	M5	15.5	3.5	1	3.6
130.10x5.071._*	10	5	7	2	M6	15.5	3.5	1	4
130.10x6.117._*	10	6	7	2.5	M5	15.5	3.5	1	3.6
130.10x6.073._*	10	6	7	2	M6	15.5	3.5	1	4
130.20x4.118._*	20	4.3	7	2.5	M5	15.5	3.5	1	3.6
130.20x4.069._*	20	4.3	7	2	M6	15.5	3.5	1	4
130.20x5.119._*	20	5	7	2.5	M5	15.5	3.5	1	3.6
130.20x5.081._*	20	5	7	2	M6	15.5	3.5	1	4
130.20x6.120._*	20	6	7	2.5	M5	15.5	3.5	1	3.6
130.20x6.074._*	20	6	7	2	M6	15.5	3.5	1	4
130.20x8.121._*	20	8	8	2.5	M5	15.5	3.5	1	3.6
130.20x8.076._*	20	8	8	2	M6	15.5	3.5	1	4
130.30x5.123._*	30	5	7	2.5	M5	15.5	3.5	1	3.6
130.30x5.072._*	30	5	7	2	M6	15.5	3.5	1	4
130.30x6.124._*	30	6	7	2.5	M5	15.5	3.5	1	3.6
130.30x6.075._*	30	6	7	2	M6	15.5	3.5	1	4
130.30x8.125._*	30	8	8	2.5	M5	15.5	3.5	1	3.6
130.30x8.077._*	30	8	8	2	M6	15.5	3.5	1	4

* When ordering please add the appropriate material code to item no. You will find it on www.fipa.com.