



# Oval vacuum cups series

Oval vacuum cups, flat, universal – SO-FU

## Oval vacuum cups, flat, universal – SO-FU



### Product notes

Flat vacuum cups in oval design for elongated workpieces where only minimal space is available (e.g. rails, profiles, tubes, bolts, etc.).  
Size 100x35 mm reinforced with metal inserts.  
Connection via plug-in nipple.


### Advantage

- > Significantly increased suction force compared to round vacuum cups of the same width
- > Soft sealing lip also allows adhesion to curved products
- > Cleats help to prevent warping of the product
- > Cost-effective replacement of worn seals

### Ordering notes

From size 15x5 mm upward, a gripper clamp (available separately) is recommended to prevent inadvertent rotation.

### Technical data

Item no.	Model		Material / Color
132.4x2.001.*	SO-FU-4x2	0.5	NBR (sw), SI (tr), SI-AS (sw), PU (bl)
132.4x2.031.*	SO-FU-4x2A	0.5	NBR (sw), SI (tr), PU (bl)
132.7x4.002.*	SO-FU-7x4	0.8	NBR (sw), SI (tr), SI-AS (sw)
132.7x4.034.*	SO-FU-7x4A	0.8	NBR (sw), SI (tr)
132.12x4.004.*	SO-FU-12x4	0.5	NBR (gr), SI (tr)
132.15x5.008.*	SO-FU-15x5	1	NBR (gr), SI (tr)
132.18x6.012.*	SO-FU-18x6	1	NBR (gr), SI (tr), PU (bl)
132.24x8.016.*	SO-FU-24x8	1	NBR (gr), SI (tr)
132.30x10.018.*	SO-FU-30x10	2	NBR (gr), SI (tr), PU (bl)
132.36x12.019.*	SO-FU-36x12	2	NBR (gr), SI (tr), PU (bl)
132.45x15.020.*	SO-FU-45x15	3	NBR (gr), SI (tr), PU (bl)
132.60x20.022.*	SO-FU-60x20	3	NBR (gr), SI (tr), PU (bl)
132.75x25.023.*	SO-FU-75x25	3	NBR (sw), SI (tr)
132.100x35.26.*	SO-FU-100x35	3	NBR (sw)

### Accessories

#### Clamp

--  
--  
--  
--  
78.030  
78.030  
78.032  
78.032  
78.032  
78.033  
78.033  
78.034  
78.034

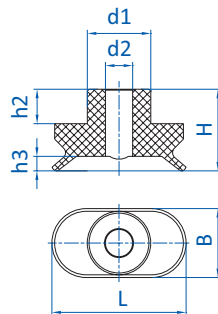
\* When ordering please add the appropriate material code to item no. You will find it on [www.fipa.com](http://www.fipa.com).



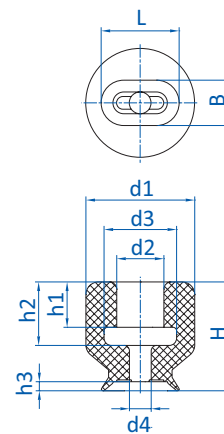
## Accessories

Item no.	Suitable fittings								
	M3-male	M4-male	M5-male	M5-female	M6-male	G1/8-male	G1/8-female	G1/4-male	G1/4-female
132.4x2.001.*	270.011	--	--	--	--	--	--	--	--
132.4x2.031.*	270.014	270.111	270.300	--	--	--	--	--	--
132.7x4.002.*	270.025	--	--	--	--	--	--	--	--
132.7x4.034.*	270.014	270.111	270.300	--	--	--	--	--	--
132.12x4.004.*	--	--	270.134	270.347	270.104	270.033	270.478	--	--
132.15x5.008.*	--	--	270.094	270.005	--	270.095	270.096	--	--
132.18x6.012.*	--	--	270.094	270.005	--	270.095	270.096	--	--
132.24x8.016.*	--	--	270.094	270.005	--	270.095	270.096	--	--
132.30x10.018.*	--	--	270.094	270.005	--	270.095	270.096	--	--
132.36x12.019.*	--	--	270.094	270.005	--	270.095	270.096	--	--
132.45x15.020.*	--	--	--	--	--	--	--	270.097	270.098
132.60x20.022.*	--	--	--	--	--	--	--	270.097	270.098
132.75x25.023.*	--	--	--	--	--	--	--	270.097	270.098
132.100x35.26.*	--	--	--	--	--	--	--	270.097	270.098

## Dimensions



Drawing A



Drawing B

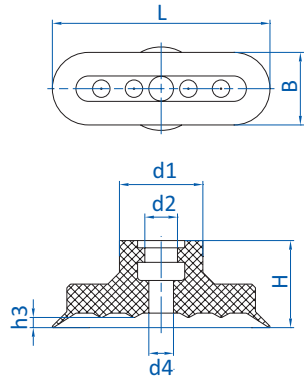
\* When ordering please add the appropriate material code to item no. You will find it on [www.fipa.com](http://www.fipa.com).



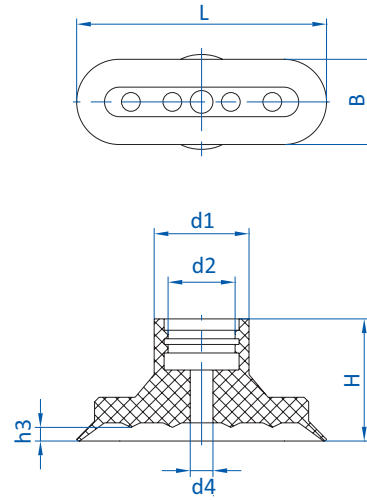
# Oval vacuum cups series

Oval vacuum cups, flat, universal – SO-FU

## Dimensions



Drawing C



Drawing D

Item no.	Drawing	L [mm]	B [mm]	Ø d1 [mm]	Ø d2 [mm]	Ø d3 [mm]	Ø d4 [mm]	H [mm]	h1 [mm]	h2 [mm]	h3 [mm]
132.4x2.001._*	A	5	2.7	2	1	--	--	3	--	1.3	0.5
132.4x2.031._*	B	4.3	2.5	6	2.6	4	1	6	2.5	3.5	0.5
132.7x4.002._*	A	7.5	3.8	3.5	1.5	--	--	4.5	--	1.9	0.8
132.7x4.034._*	B	7.5	4	6	2.4	3	1.4	6	2.3	3	0.7
132.12x4.004._*	B	12	4	8	4	--	1.5	15	--	9.5	1
132.15x5.008._*	C	15	5	9	5	--	2	12	--	--	0.8
132.18x6.012._*	C	18	6	9	4.5	--	2	12	--	--	1.3
132.24x8.016._*	C	24	8	11.5	4.5	--	3	12	--	--	1.3
132.30x10.018._*	C	30	10	11.5	4.5	--	3.4	12	--	--	1.4
132.36x12.019._*	C	36	12	12	5	--	4	12	--	--	1.2
132.45x15.020._*	D	44	15	16.5	12	--	4	22	--	--	2.4
132.60x20.022._*	D	60	20	16.5	11.5	--	4	22	--	--	2.2
132.75x25.023._*	D	75	25	17.5	11	--	3.5	22	--	--	3
132.100x35.26._*	D	100	35	17.5	11.5	--	8	22	--	--	3.1

\* When ordering please add the appropriate material code to item no. You will find it on [www.fipa.com](http://www.fipa.com).